

INTERCOOLER KIT INSTALLATION MANUAL



Installation must be done by a professional.

Read this manual prior to the installation.

Always have access to this manual as well as a factory service manual.

※ Make sure the vehicle is applicable to this kit.

| | |
|-----------------|--|
| NAME OF PRODUCT | INTERCOOLER KIT |
| USE | AUTOMOBILE PARTS |
| PART NUMBER | 13001-AH004 and 13001-AH005 |
| APPLICATION | HONDA CIVIC TYPE-R (DBA-FK8) |
| ENGINE | K20C |
| YEAR | 2017/9~ |
| REMARKS | <ul style="list-style-type: none"> • 13001-AH004 is compatible with a factory vehicle. • 13001-AH005 requires HKS Intercooler Piping Kit (13002-AH001). • This product is compatible with HKS Oil Cooler Kit (15004-AH004). • This products is compatible with a vehicle equipped with the factory fog light. • The intercooler may come in contact with the radiator if it is replaced with non-factory radiator. In this case, modification of the electric fan's resin shroud may be required. • Standard Installation Time: 3.5 hours. |

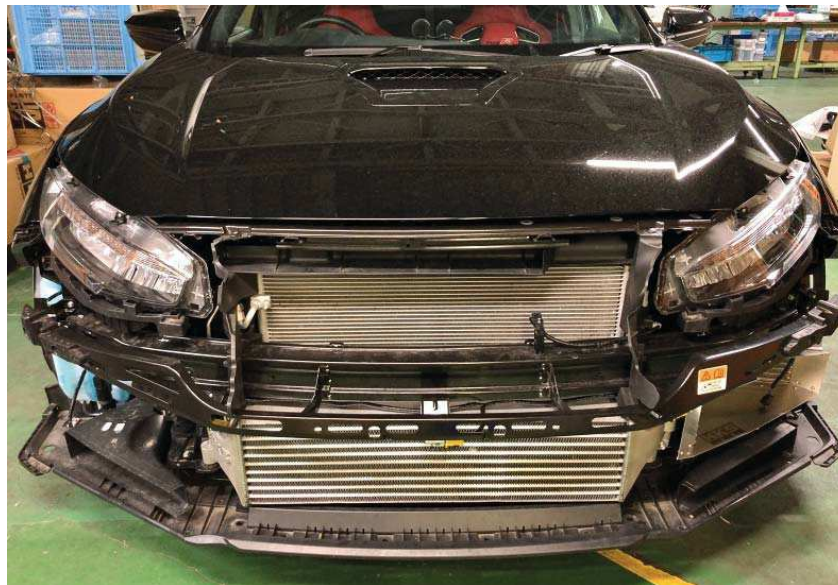
※Application was confirmed as of February, 2019.

REVISION OF MANUAL

| Rev. Number | Date | Manual Number | Details |
|-------------|--------|------------------|-------------------------|
| 3-3.01 | 2019/2 | E04251-H50010-00 | 1 st Edition |

Published in February, 2019 by HKS Co., Ltd. (Unauthorized reproduction is strictly prohibited.)

Vehicle with Intercooler Kit



INDEX

| | |
|--|----|
| NOTICE / ATTENTION / SAFETY PRECAUTIONS | 12 |
| PARTS LIST | 13 |
| 1. REMOVAL OF FACTORY PARTS..... | 14 |
| 2. INSTALLATION OF KIT PARTS | 17 |
| 3. REINSTALLATION OF FACTORY PARTS & OPERATION CHECK | 19 |

NOTICE



This manual assumes that you have and know how to use the tools and equipment necessary to safely perform service operations on your vehicle. This manual assumes that you are familiar with typical automotive systems and basic service and repair procedures. Do not attempt to carry out the operations shown in this manual unless these assumptions are correct. Always have access to a factory service manual. To avoid injury, follow the safety precautions contained in the factory service manual.

ATTENTION

- This manual indicates items you need to pay attention to in order to install this product safely and lists precautions to avoid any possible damage and/or accidents.
- This product is an automobile part. Do not use for any other purposes.
- HKS will not be responsible for any damage caused by incorrect installation and/or use, or use after modification and/or dismantling of this product.
- This product was designed based on installation onto a specific factory vehicle.
- The specifications of this product are subject to change without notice.
- The instructions are subject to change without notice. Make sure to refer to the most recent instructions.

SAFETY PRECAUTIONS

The following precautions for use of this product are to prevent possible accidents and/or injuries and for proper use.

| | |
|---|---|
|  WARNING | Indicates risk of serious injury and/or possible death. |
|  CAUTION | Indicates risk of damage to people or large-scale damage to property. (Large-scale damage is the damage caused by a product defect. Ex. Damage to a vehicle, burnout, etc.) |

PARTS LIST

| No. | Descriptions | QT | | Remarks |
|-----|-------------------------------------|-------------|-------------|---------|
| | | 13001-AH004 | 13001-AH005 | |
| 1 | Intercooler Assembly | 1 | | |
| 2 | Intercooler Inlet Pipe | 1 | | |
| 3 | Intercooler Outlet Pipe | 1 | | |
| 4 | Silicone Hose 55mm-60mm | 1 | | |
| 5 | Silicone Hose 60mm | 3 | 1 | |
| 6 | Intercooler Bracket | 1 | | |
| 7 | Reinforced Hose Band #36 | 1 | | |
| 8 | Reinforced Hose Band #40 | 7 | 1 | |
| 9 | Hexagon Socket Head Cap Bolt M6 L40 | 1 | | |
| 10 | Hexagon Socket Head Cap Bolt M8 L20 | 1 | | |
| 11 | Hexagon Socket Head Cap Bolt M8 L30 | 2 | | |
| 12 | Flat Washer M6 | 1 | | |
| 13 | Flat Washer M8 | 3 | | |
| 14 | HKS Logo-shaped Paper | 1 | | |
| 15 | Installation Manual | 1 | | |
| 16 | Operation Manual | 1 | | |

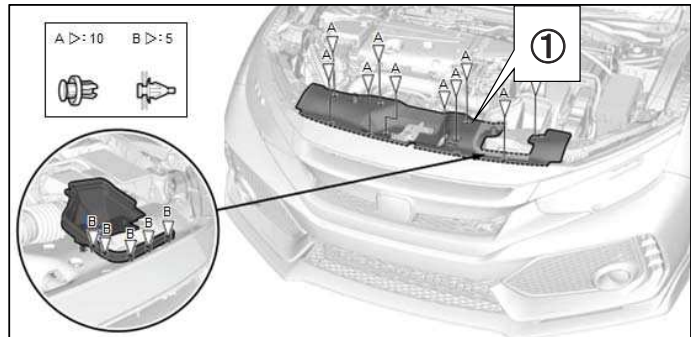
1. REMOVAL OF FACTORY PARTS

Before beginning removal of the factory parts, disconnect the negative cable from the battery terminal.
Use this instruction manual and the manufacturer's service manual as a reference.

(1) Disconnect the battery negative cable from the battery terminal.

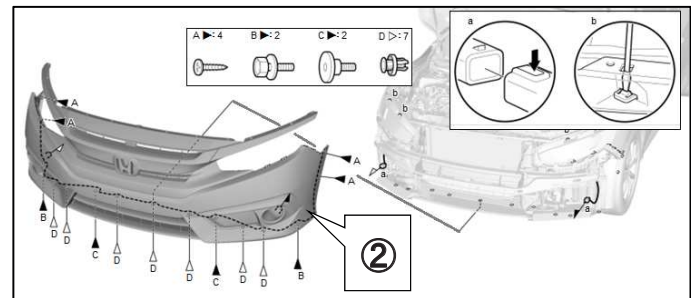
(2) Remove ① front grill cover.

※① will be reused later.



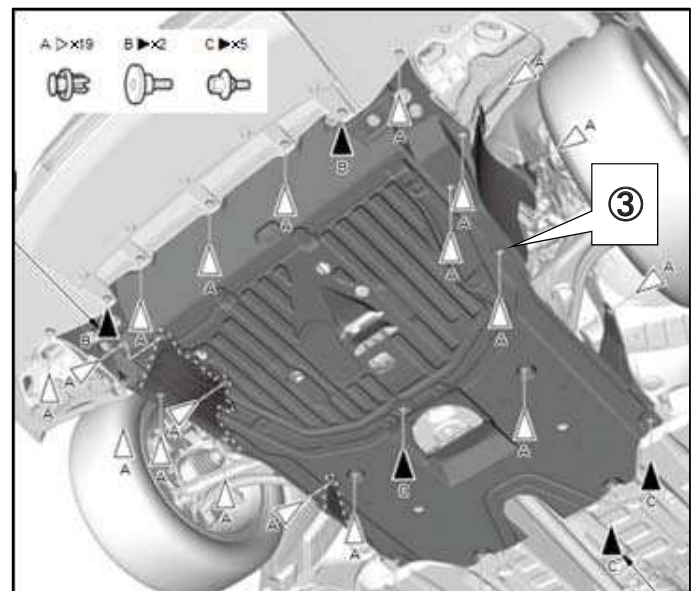
(3) Remove ② front bumper.

※② will be reused later.

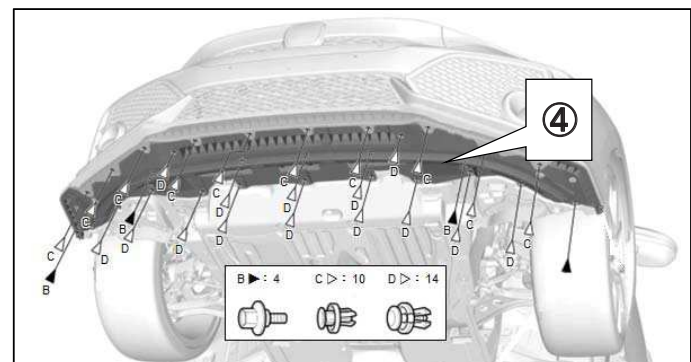


(4) Remove ③ engine undercover.

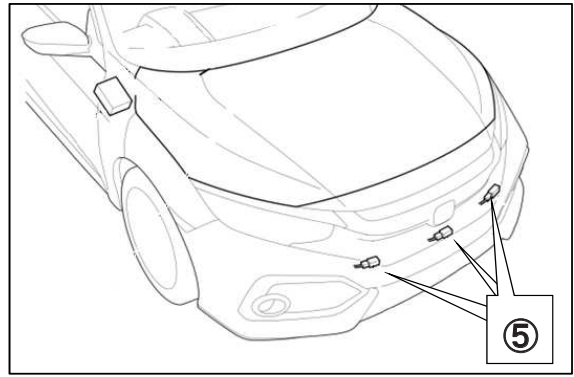
※③ will be reused later.



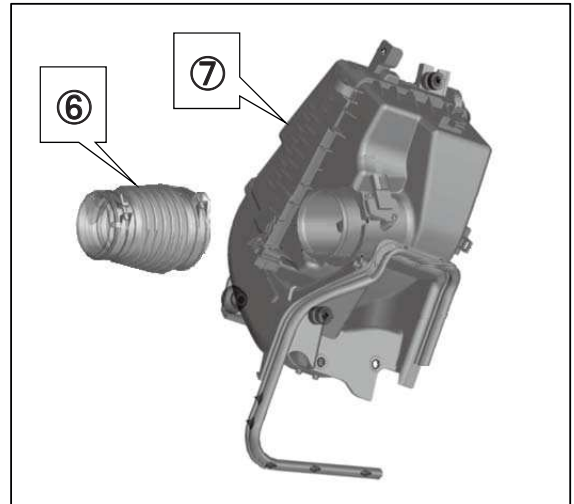
(5) Remove ④ front bumper lower plate.



- (6) Remove ⑤ pedestrian impact sensors (3 pieces).
※⑤ will be reused later.



- (7) Disconnect ⑥ air hose and remove ⑦ air cleaner box.
※⑥ and ⑦ will be reused later.

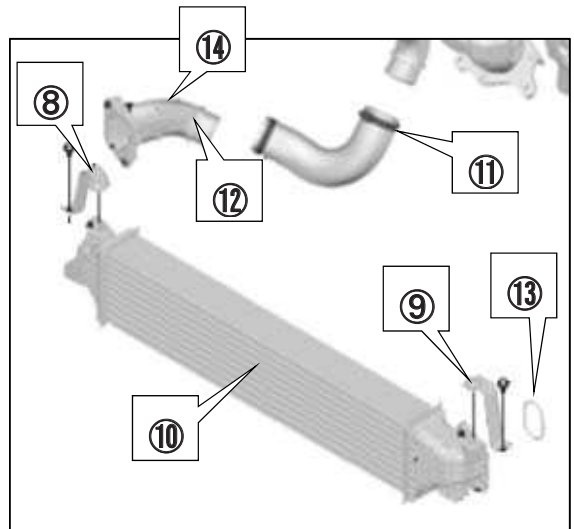


- (8) Remove ⑧ intercooler bracket RH and ⑨ intercooler bracket LH.
※⑧ and ⑨ will be reused later.

- (9) Remove ⑩ intercooler, ⑪ intercooler inlet hose, and ⑫ intercooler inlet pipe.

- (10) Remove ⑬ O-ring from the intercooler.
※⑬ will be reused later.

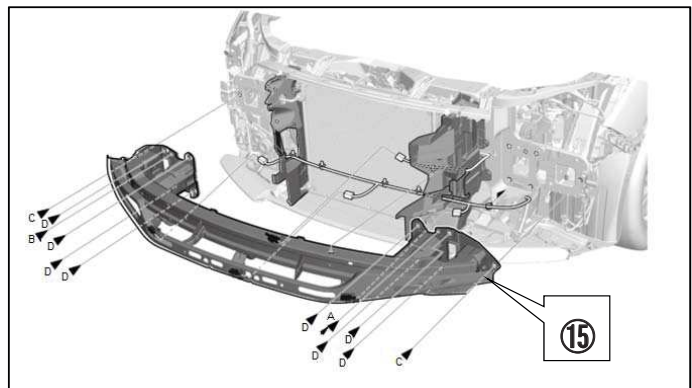
- (11) Remove ⑭ grommet and collar from ⑫ intercooler inlet pipe.
※⑭ will be reused later.



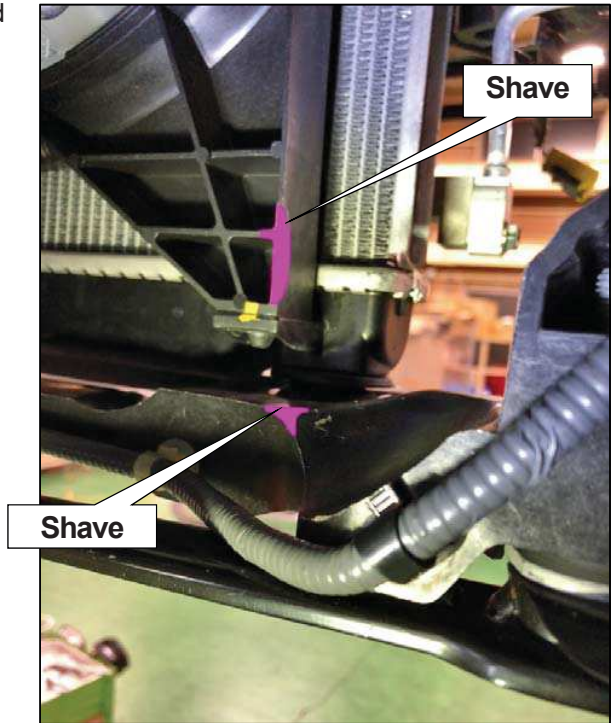
- (12) Loosen ten of ⑮ front bumper safety plate installation bolt.

NOTE

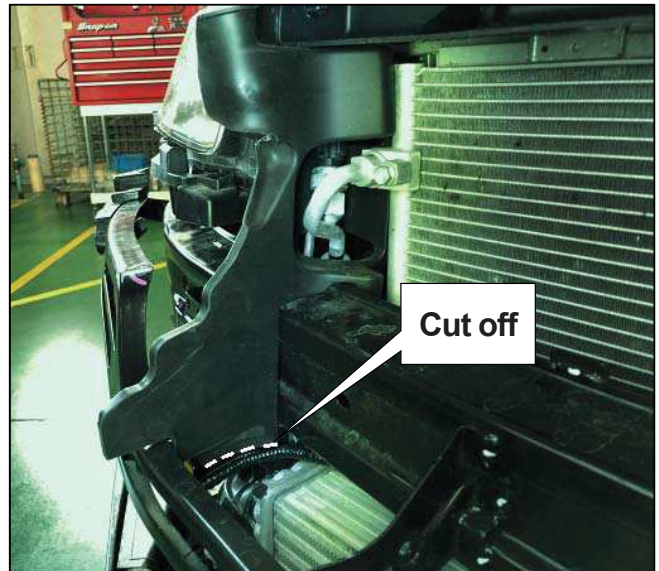
- Only loosen these bolts until the front safety plate slightly moves.



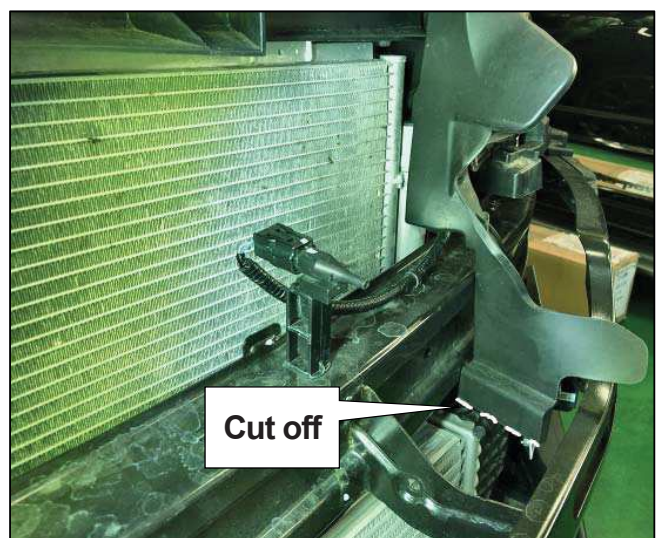
(13) Shave the colored portion of the radiator fan shroud and radiator support.



(14) Cut off the intercooler air guide RH along the dotted line shown in the diagram on the right.

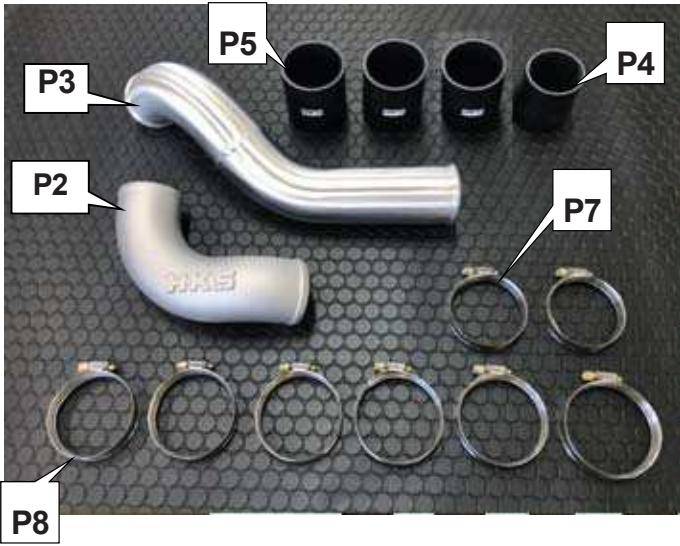


(15) Cut off the intercooler air guide LH along the dotted line shown in the diagram on the right.



2. INSTALLATION OF KIT PARTS

PARTS LIST



| No. | Descriptions | QT |
|-----|---------------------------------|------|
| P1 | Intercooler Assembly | 1 |
| P2 | Intercooler Inlet Pipe | 1or0 |
| P3 | Intercooler Outlet Pipe | 1or0 |
| P4 | Silicone Hose 55mm-60mm | 1or0 |
| P5 | Silicone Hose 60mm | 3or1 |
| P6 | Intercooler Bracket | 1 |
| P7 | Reinforced Hose Band #36 | 1or0 |
| P8 | Reinforced Hose Band #40 | 7or1 |
| P9 | Hex Socket Head Cap Bolt M6 L40 | 1 |
| P10 | Hex Socket Head Cap Bolt M8 L20 | 1 |
| P11 | Hex Socket Head Cap Bolt M8 L30 | 2 |
| P12 | Flat Washer M6 | 1 |
| P13 | Flat Washer M8 | 3 |
| P14 | HKS Logo-shaped Paper | 1 |

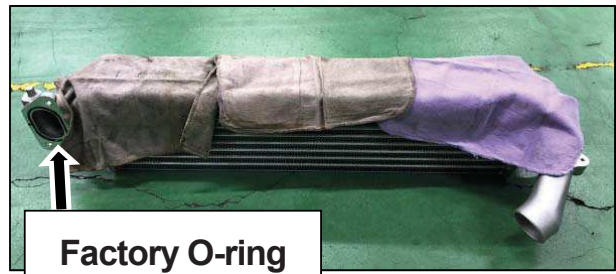
◇ Make sure that there are no foreign objects and/or damage in the kit parts (Intercooler Assembly, Pipes, and Silicone Hoses.)

(1) Affix the HKS Logo-shaped Paper to the Intercooler Assembly where you want the logo to appear and spray paint onto the logo-shaped paper.

- P1: Intercooler Assembly x 1
- P14: HKS Logo-shaped Paper x 1

(2) Remove the O-ring from the factory intercooler and install it to the Intercooler Assembly.

(3) Cover the Intercooler Assembly by a thin cloth to prevent it from getting scratched as shown in the diagram on the right.



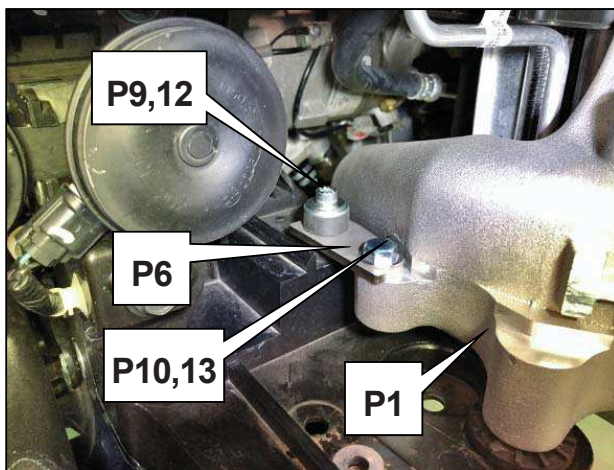
- (4) Install ⑬ factory grommet and collar to the Intercooler Bracket.

- P6: Intercooler Bracket x 1



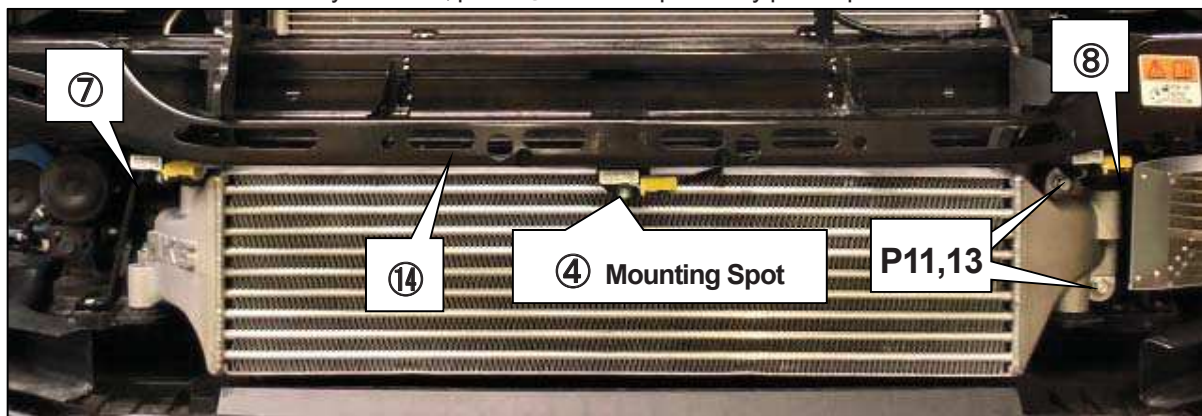
- (5) Install the Intercooler Assembly to the vehicle using the Intercooler Bracket and factory part ⑦ and ⑧.

- P1: Intercooler Assembly x 1
- P6: Intercooler Bracket x 1
- P9: Hexagon Socket Head Cap Bolt M6 L40 x 1
- P10: Hexagon Socket Head Cap Bolt M8 L20 x 1
- P11: Hexagon Socket Head Cap Bolt M8 L30 x 2
- P12: Flat Washer M6 x 1
- P13: Flat Washer M8 x 3



NOTE

- Since the clearance between the mounting spot of ④ pedestrian impact sensor in the center of the vehicle and the Intercooler Assembly is narrow, push ⑭ front bumper safety place upward for easier installation.

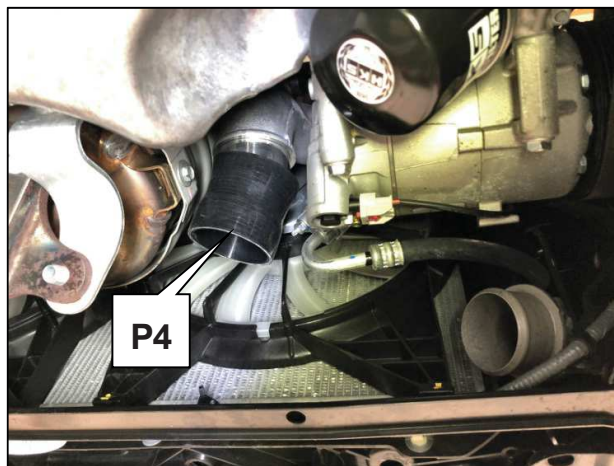


- (6) Temporarily install the Silicone Hose 55mm-60mm to the turbocharger compressor outlet.

- P4: Silicone Hose 55mm-60mm x 1
- P7: Reinforced Hose Band #36 x 1

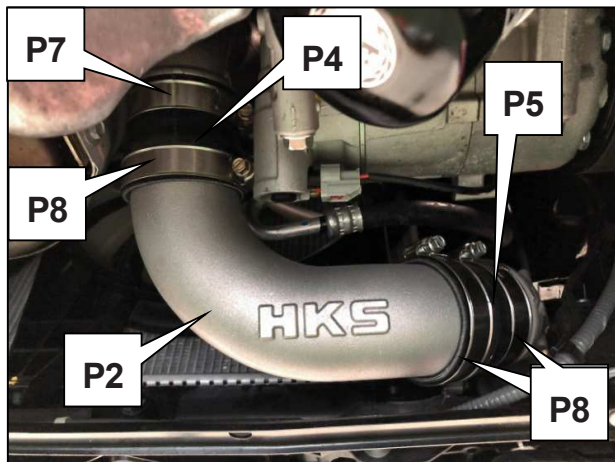
NOTE

- Do not insert the silicone hose completely. First, temporarily install the hose as shown in the diagram below.
- Install the 55mm side of the silicone hose 55mm-60mm to the turbocharger.



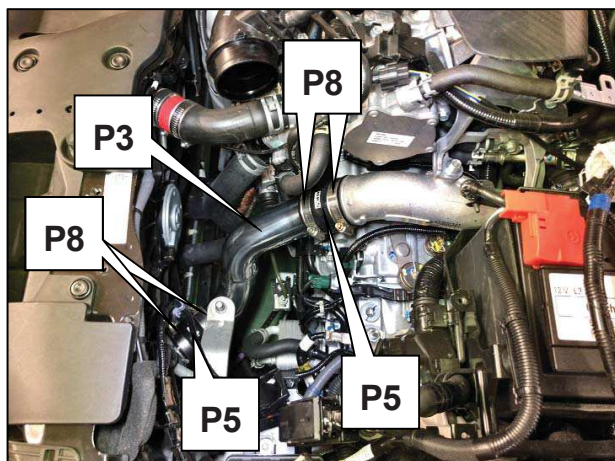
(7) Install the Intercooler Inlet Pipe to the turbocharger and intercooler.

- P2: Intercooler Inlet Pipe x 1
- P5: Silicone Hose 60mm x 1
- P8: Reinforced Hose Band #40 x 3



(8) Install the Intercooler Outlet Pipe to the intercooler and pipe in front of the throttle.

- P3: Intercooler Outlet Pipe x 1
- P5: Silicone Hose 60mm x 2
- P8: Reinforced Hose Band #40 x 4



3. REINSTALLATION OF FACTORY PARTS & OPERATION CHECK

- (1) Make sure the kit parts come in contact with any other part of the vehicle.
- (2) Reinstall ⑤ pedestrian impact sensor.
- (3) Reinstall ⑥ air hose and ⑦ air cleaner box.
- (4) Tighten those 10 installation bolts of ⑮ front bumper safety plate that were loosened in 1.
- (5) Reconnect the negative cable to the battery.
- (6) Start the engine and check if no part comes in contact with any other part of the vehicle.
- (7) Reinstall those factory parts ① to ④ in the reverse order of removal.

※ After the installation process is complete, check all items listed in the “Confirmation After Installation” section of the instruction manual.